

PRODUCT DATA SHEET

PROKOSCH Series 3 Injectors
for Pneumatic Conveying

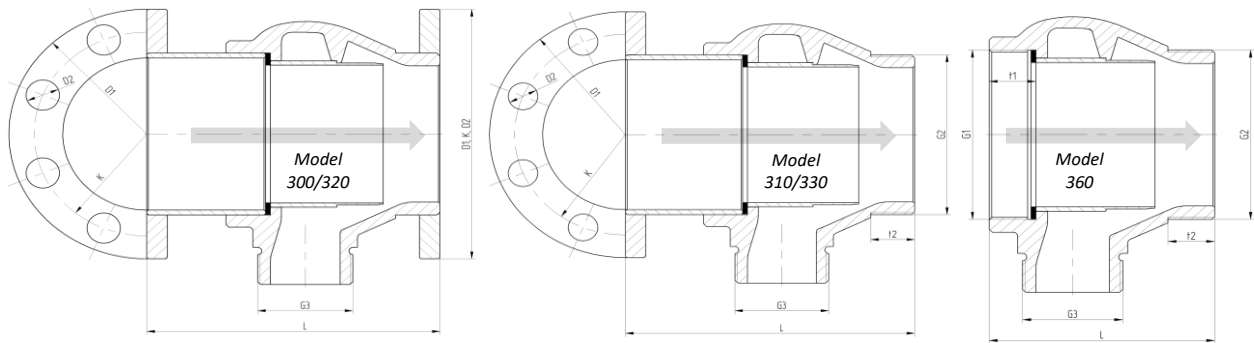


PROKOSCH injectors are suitable for pneumatic conveying, for accelerating the conveying of powdered and granulated materials. Installation by means of a thread directly in the conveying line or optionally by means of flanges or a combination of flange and threaded connection. The conveying air is introduced by means of a connection pipe pointing upwards or towards the opposite side to the medium.

Specifications

Max. operating pressure	10 Bar
Temperature range	-20...80°C
Flange connections, models 300 and 310	DIN 1092-1
TW-flange connections, models 320 and 330	DIN 28460
Threaded pipe end, models 310, 330 and 360	DIN 259

Materials	GS	GV	VV
Housing	Cast iron	Cast iron	Stainless
Flanges	Steel	Steel	Stainless
Nozzle	Steel	Stainless	Stainless
Gasket	NBR	NBR	PTFE



Dimensions

Model	Size	Dimensions [mm]									Weight [kg]		
		L	D1	G1	D2	G2	G3	t1	t2	K	GS, GV	VV	
300	DN80	155	200	-	18	-	R 1½"	-	-	160	10,9	12,0	
	DN100	185	220	-	18	-	R 2"	-	-	180	14,0	15,4	
310	DN80	155	200	-	18	R 3"	R 1½"	-	24	160	6,7	7,4	
	DN100	185	220	-	R 4"	R 3"	R 2"	-	28	180	9,7	10,6	
320	DN80	155	154	-	12	-	R 1½"	-	-	130	4,9	5,4	
	DN100	185	174	-	14	-	R 2"	-	-	150	7,9	8,7	
330	DN80	155	154	-	12	R 3"	R 1½"	-	24	130	3,7	4,1	
	DN100	185	174	-	14	R 3"	R 2"	-	28	150	6,6	7,2	
360	DN80	105	-	R 3"	-	R 3"	R 1½"	24	24	-	2,2	2,4	
	DN100	135	R 4"	R 3"	R 4"	R 3"	R 2"	28	28	-	4,3	4,7	

Product Code: <Model>/<Size>/<Material> Examples: 360/100/GS, or 300/80/VV



PROKOSCH Pumpen und Armaturen GmbH

In der Breitwiese 9, DE-76684 Östringen, Germany
Phone +49 7259 9103 0 - Telefax +49 7259 9103 49
contact us at www.prokosch.de - sales@prokosch.de