

PRODUCT DATA SHEET

PROKOSCH Series 2 Sight Glasses with Threaded or Flange Connections



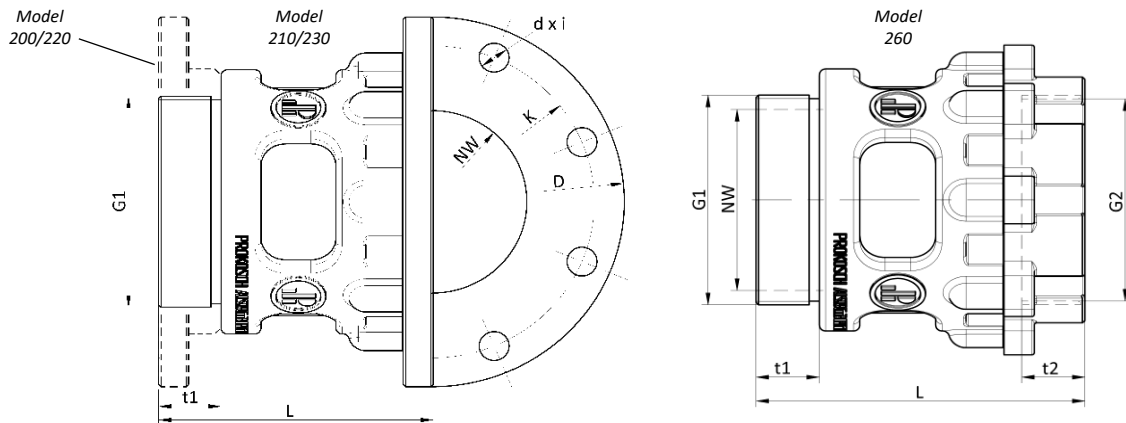
PROKOSCH sight glasses are suitable for application with powdered and granulated media, gases and neutral liquids. They are intended for installation to a piping system by means of a thread or flanges, or a combination of both. PROKOSCH sight glasses are easy to maintain without the need of special tools and the modular design allows easy adaptation to different installation requirements.

Specifications

Max. operating pressure	10 Bar
Temperature range	-20...80 °C
Flange connections, models 300 and 310	DIN 1092-1
TW-flange connections, models 320 and 330	DIN 28460
Threaded pipe end, models 310, 330 and 360	DIN 259

Materials

	GL	PL
Housing	Aluminium	Aluminium
Glass	Borosilicate Glass	PMMA
Gaskets	EPDM, optionally FKM	EPDM



Dimensions

Model	Size	Dimensions [mm]									Weight [kg]	
		L	NW	G1	t1	D1	K	d x i	G2	t2	GL	PL
200	DN80	118	76	-	-	200	160	18 x 8	-	-	4,0	3,9
	DN100	130	100	-	-	220	180	18 x 8	-	-	5,3	5,1
210	DN80	118	76	G3"	25	200	160	18 x 8	24	160	2,6	2,5
	DN100	130	100	G4"	25	220	180	18 x 8	28	180	3,7	3,5
220	DN80	110	76	-	-	154	130	12 x 8	-	-	1,6	1,5
	DN100	125	100	-	14	174	154	14 x 8	-	-	2,6	2,4
230	DN80	110	76	G3"	25	154	130	12 x 8	-	-	1,2	1,1
	DN100	125	100	G4"	14	174	154	14 x 8	-	-	2,1	1,9
260	DN80	130	76	G3"	25	-	-	-	G3"	25	1,4	1,3
	DN100	145	100	G4"	25	-	-	-	G4"	28	1,9	1,7

Product Code: <Model>/<Size>/<Material> Examples: 260/100/GL, or 220/80/PL



PROKOSCH Pumpen und Armaturen GmbH

In der Breitwiese 9, DE-76684 Östringen, Germany
Phone +49 7259 9103 0 - Telefax +49 7259 9103 49
contact us at www.prokosch.de - sales@prokosch.de